

HIP-PM6 Remote Paging Station



User Manual

This page is left blank for users to take notes.

About the User Manual

The user manual is available and effective upon the date of completion of the development of HIP-PM6 Remote Paging Station. The user manual includes system description, safety precautions, instructions on system connection, operating instructions, and technical specifications of HIP-PM6 Remote Paging Station. Please read this manual carefully before connection, installation and use, and follow the corresponding instructions in the manual.



The instructions with this mark on the rear panel of the machine are all matters that must be paid attention to. Please make sure to follow the corresponding instructions on use and operation.

Please keep the user manual properly for unexpected needs.

Contents

- Preface 1
- Product Overview 1
- Product Features 1
- Product Information 2
- Address Setting 4
- Paging Operations 4
- Typical Application 5
- Technical Parameters 6
- Packing List 6

Preface

Thank you for choosing our product. All products are rigorously tested before they leave the factory, honoring quality commitments.

The product is best applied in such places as schools, stadiums, squares, venues, parks, parking lots, the railway station, the airport, the villas, the shopping mall, etc.

In order to better your installation, debugging and use of this product, please read this manual carefully before installation.

Product Overview

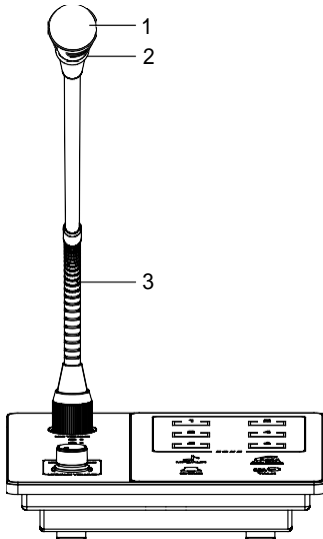
This product is a remote paging station used in conjunction with this series six-zone amplifier. Adopting touch-key technology, glass panel craft, anti-fingerprint coating and high-gloss bevel cutting techniques, it is smooth in touching, exquisite and beautiful in appearance and fashion in style. With simple operation, intuitive signal display, it corresponds to the amplifier 6-zone toggle switch, which makes switching calls easy and fast. This paging station is highly stable and has a low failure rate, making it an ideal choice for a high-quality paging station.

Product Features

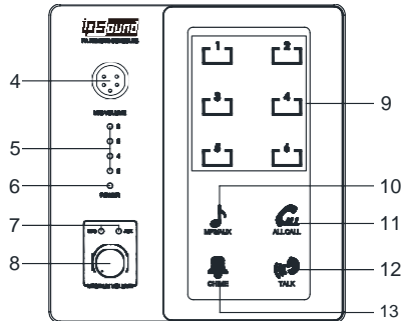
- Zone-independent switches for quick control of six-zone switches of the amplifier.
- Featured by signal level indication, it has more intuitive paging sound pressure.
- With key lock function.
- 2 chime tones, chime up and chime down.
- With dual RJ45 ports. With zone control and override function. When cascading paging stations with a single port, this single port of the mixer amplifier can support up to 6 paging stations, with the maximum transmission distance of 300m. If only one paging station is connected to the mixer amplifier, the transmission distance can be up to 600m. The paging station does not require an independent power adapter, and is powered by this series 6-zone amplifier for audio transmission. **Note: Each host can support up to 6 remote paging microphones.**
- One-channel hidden microphone volume knob.

- One key to page all zones.
- With anti-fingerprint coating for the touch panel.
- With priority function, with the ID6 as the highest-priority paging microphone.

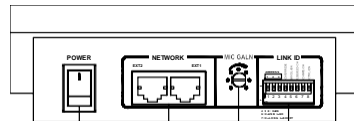
Product Information



Stereo-gram



Front Panel



Rear Panel

1. Microphone Head
2. Microphone Switch Indicator Ring

- Touch the Voice Broadcast button to enable the it, and the red light indicates that you can speak.

The light ring indicator does not light when voice broadcast function is off. 3 .

Microphone rob (The angle can be adjusted freely)

4. Five pin XLR

- Dismantle 5-pin screw microphone connector.

- 5 . Four-segment level indicator

- The maximum volume indicator is orange and the other volume indicators are blue;

6. Power Supply Indicator

7. AUX/MP3 Indicator

- The MP3 source indicator is blue when the host is playing MP3, and AUX is blue when the host is playing an AUX source ;

- The key indicator varies according to the host source.

8. AUX/MP3 Volume Knob

- When the AUX or MP3 source indicator is blue, clockwise to the volume up and counterclockwise to volume down

9. Six-zone touch buttons 1-6 (blue backlight marks selected)

10. Source toggles button

- Touch the button to turn it on as backlight is blue, and turn it off when backlight is white.

- Short press the touch button to switch the host to AUX or MP3 (the corresponding blue backlight varies from the status of the button).

11. All-zone broadcast button

- Touch the button to enable all-zone broadcast as backlight is blue, and turn it off when backlight is white.

- Press and hold the all-zone broadcast button for 1 second to lock all the buttons, the all-zone broadcast button indicator flashes for 1 second, press and hold the button again for 2 seconds to return to normal.

12. Voice broadcast button

- Touch the button to enable voice talk as backlight is orange, and turn it off when backlight is white.

13. Chime button

- Touch the button to enable it as backlight is blue, and it will stop when it's over.

- Touch the button to play ascending chime.

14. Power Switch

- Press down button“one” to turn on the power, and press again button “one” to turn off the power.

15. Dual RJ45 remote communication and audio transmission interface

- Support cascading. The single port of the mixer amplifier can support up to 6 paging stations, with the maximum transmission distance of 300m.

- If only 1 paging station is connected to the mixer amplifier, the transmission distance

can be up to 600m.

- Note: To ensure the above effective transmission distance, it is required to use CAT 5e network cable or above, with a single line resistance $\leq 12\Omega$ per 100m.

16. Microphone gain knob

- Clockwise to the volume up and counterclockwise to volume down

17 . 8 DIP Switches

- 1, 2, 3 is for address bit settings.

- 4 is for the strong cut enable setting switch, and turn the switch to “H” to turn it on, turn the switch to “L” to turn it off.

- 5 is used to enable the MP3 or AUX master volume adjustment potentiometer, turn the switch to “H” to turn it on, turn the switch to “L” to turn it off.

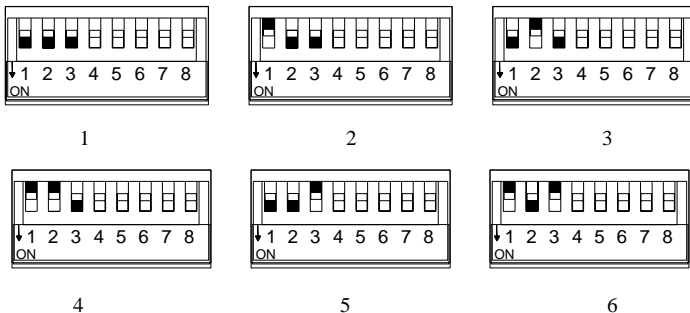
- 6 designates an MP3 as a USB flash drive or SD card, switch to “H” means MP3 as USB flash drives, and “L” means the MP3 as SD cards.

- 7 and 8 are not available.

Address Setting

Dip switches "1~3" are used for paging station ID setting, and the following paging station ID are: the binary value of paging station ID 1~6, dial up to "1", dial to "ON" position to "0")

Note: The screen printing on the switch "1" is the lowest binary bit, "3" is the highest binary bit. The remote paging microphone with the ID6 has the highest priority.

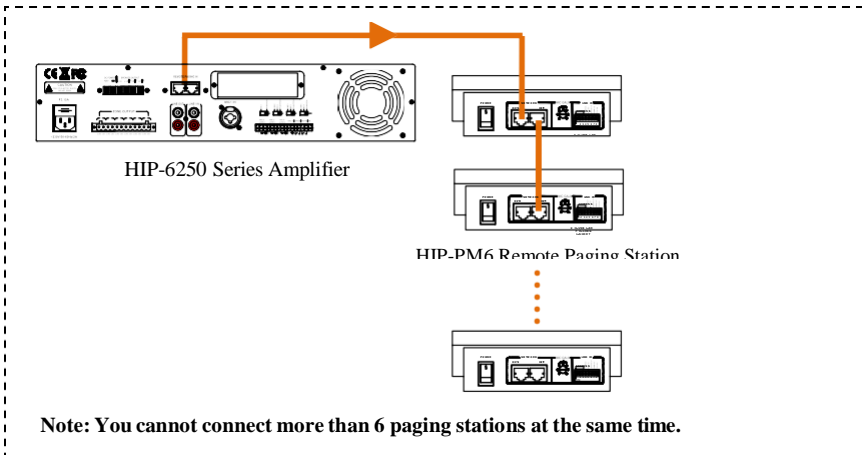


Paging Operations

1. All-zone paging: Touch the "ALL CALL" button, the zone 1-6 indicators on panel light up in blue, goose-neck microphone light ring is red, and then you can conduct one-key all-zone broadcast.

2. Zone paging: Touch to select from Zones 1-6, touch the button "TALK" on the machine panel, and when the goose-neck microphone light ring is red, you can start the talk.
3. Priority: The ID1-5 are devices of the same level. When the high-priority device ID6 makes a paging, the "TALK" orange light on the panel of the low-priority device flashes at a fixed frequency; when the low-priority device makes a paging, the "TALK" orange light on the panel of the high-priority device is not lit (indicating that it can override the paging), and the "TALK" orange light on the panel of the remaining low-priority devices flashes at a fixed frequency.

Typical Application



Technical Parameters

Specification	Parameters
Sensitivity	30±3mV
Frequency Response	200Hz-15KHz
SNR	≥70db
RJ45	RS485 communication protocol
Input Power	Host power supply
Package Dimensions (H×W×D mm)	425×285×115mm
Machine Dimensions (H×W×D mm)	172×160×53mm
Gross Weight	1.6KG
Net Weight	0.89KG

Packing List

Serial Number	Checklist	Quantity
1	Paging Station	1 piece
2	User Manual	1 copy
3	Certificate	1 copy
4	Warranty Card	1 copy
5	Microphone Cap	1 piece
6	Microphone Rod (L=415mm)	1 piece

CAUTION

- When the power switch of the equipment is in the “OFF” state, the machine is not completely disconnected from the power grid. For the sake of safety, please unplug the power cord from the power socket when the equipment is not in use.
- The equipment can not be exposed to water droplets or splashes and objects such as vases filled with water can not be placed on the equipment.
- Do not open the cover of the machine at will in case of electric shock. If necessary, it should be repaired by professionals with professional certificates.
- The terminals marked with the symbol ⚡ on the equipment are hazardous live parts, and the connection of these terminals must be completed by trained personnel.
- The equipment is connected to the power grid through a power cord. When the equipment goes wrong or becomes dangerous, the connection between the equipment and the power grid can be disconnected by unplugging the power cord. Therefore, it is required to place the power socket where it is convenient to plug and unplug the power cord.

© | The specification will be subject to change without notices.